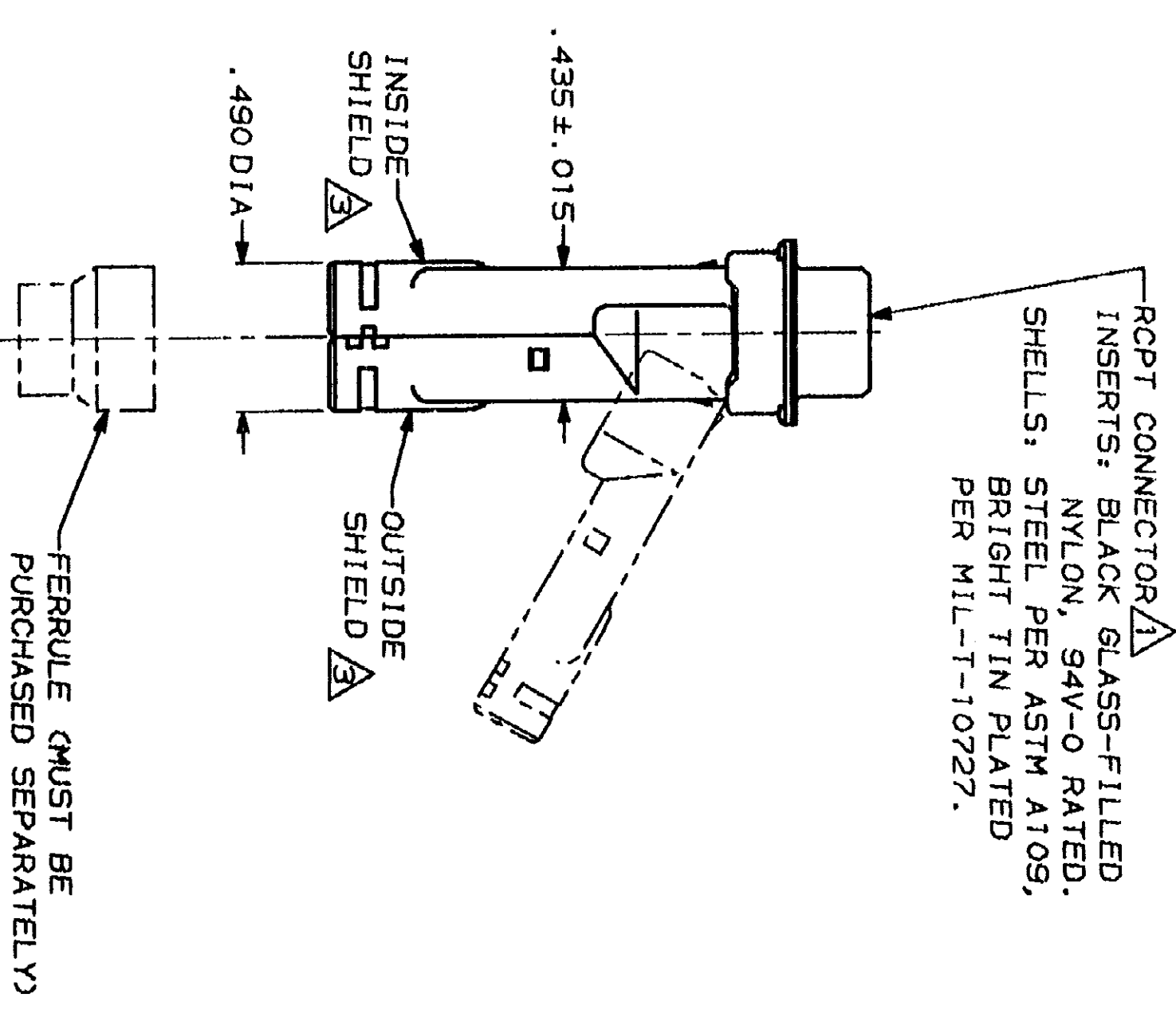
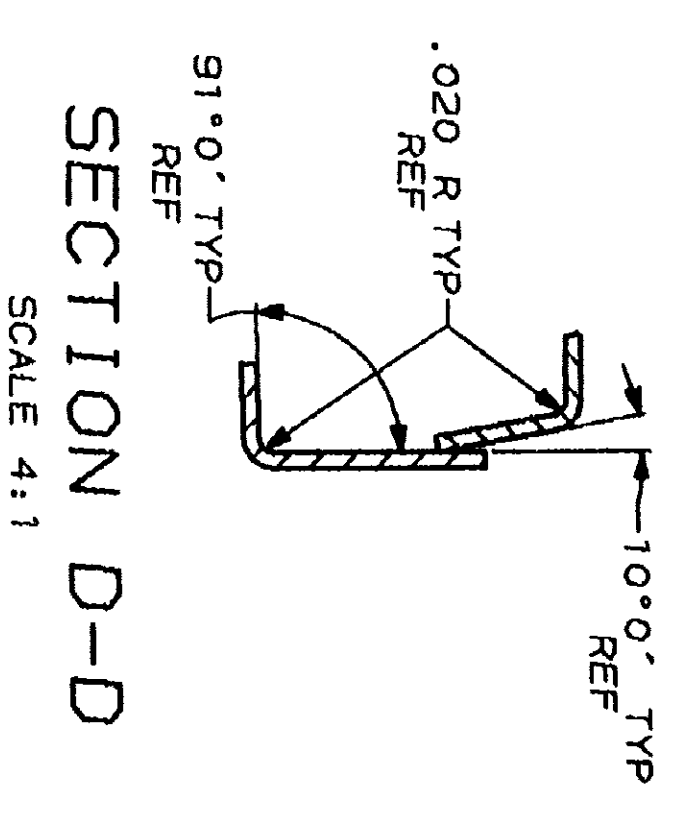


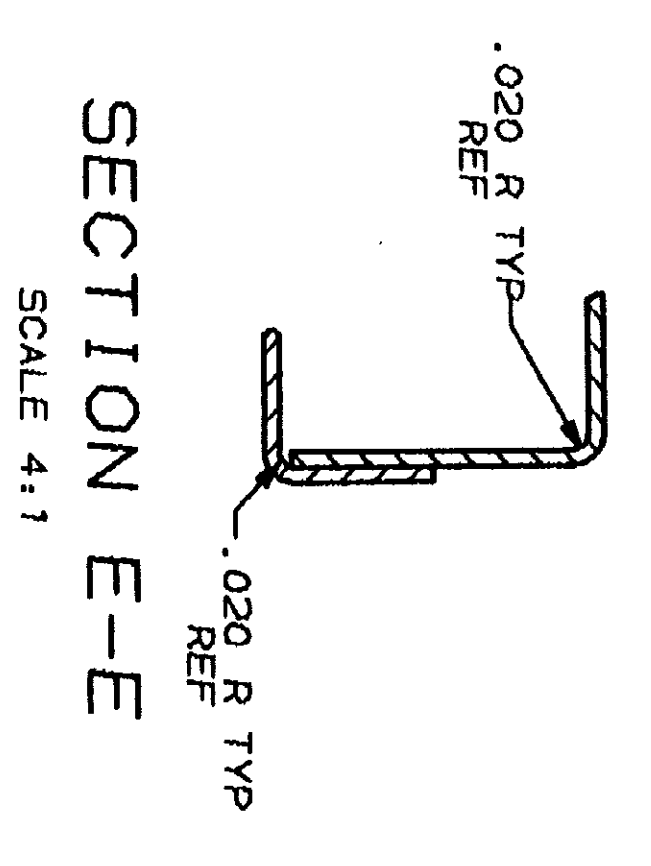
- 1. RCPT ACCEPTS SIZE 20 SOCKET CONTACTS (CONTACTS MUST BE ORDERED SEPARATELY).
- 2. ALL PARTS SHIPPED UNASSEMBLED, EACH PART INDIVIDUALLY BULK PACKED.
- 3. SHIELDS, MATERIAL-.020 THICK STEEL, TIN PLATED PER MIL-T-10727.
- 4. RAISED CAVITY IDENTIFICATION AND AMP TRADEMARK.



RCPT CONNECTOR
 INSERTS: BLACK GLASS-FILLED NYLON, 94V-0 RATED.
 SHELLS: STEEL PER ASTM A109, BRIGHT TIN PLATED PER MIL-T-10727.



SECTION D-D
 SCALE 4:1



SECTION E-E
 SCALE 4:1

REV	DATE	APP'D	DESCRIPTION
8	BD 39		
A			REDRAWN
B			REV PER ECN B04493

DO NOT SCALE PRINT. UNLESS SPECIFIED DIMENSIONS IN MILLIMETERS TOLERANCES ON: 1. ALL DIMS ± .005 2. HOLE DIA ± .005 3. HOLE DEC ± .030 ANGLES SEE CALL OUT	DR 6/7/90 A. STUBB DS CHK 8-31-90 J. HOLLINON APPO 5-4-90 BOB TAYLOR APPO 5-4-90 J. ASSINI PRODUCT SPEC	AMP INCORPORATED MORTON, PA. 17055	NAME KIT, RCPT, SHIELDING HARDWARE, SIZE 5, 50 POSN, HDP-20, AMPLIMIT™
FINISH SEE CALL OUT	APPLICATION SPEC	SIZE D 00779	FSC# NO DRAWING NO 747578
WEIGHT	SCALE 2:1	SHEET 1 OF 1	PART NUMBER 747578-1